



GLDA01A1A



Actual product appearance may vary.

Global Limit Switches Series GLS: Side Rotary With Roller - Standard, 1NC 1NO SPDT Snap Action, 0.5 in - 14NPT conduit

Features

- Designed to IEC standard for world-wide applications
- UL, CSA, and CE
- International conduit sizes
- Direct PLC interface compatible (two circuit)
- Modular construction reduces maintenance parts costs
- Designed for ease of installation
- Variety of basic switch versions
- Wide choice of actuators

Potential Applications

- Machine tools: metal fabrication equipment, presses, transfer lines and special machinery
- Material handling equipment: conveyors, elevators, cranes, and hoists
- Packaging machinery and process equipment
- Textile machinery
- Construction machinery and equipment, vehicles and lift trucks

Description

The GLS series limit switches are specifically designed for world-wide applications and are supported by Honeywell global resources for sale and after sale service.

Product Specifications	
Availability	Global
Operating Force (O.F.)	0,120 N m [1.10 in lb]
Pretravel (P.T.)	26°
Overtravel (O.T.)	49°
Differential Travel (D.T.)	11.5°
Product Type	EN50041/47 Global Limit Switch
Actuator	Side Rotary
Lever Style	Roller - Standard
Circuitry	1NC 1NO SPDT Snap Action
Ampere Rating	10 A (Thermal)
Supply Voltage	600 Vac and 250 Vdc max.

Housing Material	Plastic
Termination Type	0.5 in - 14NPT conduit
Housing Type	EN 50047
Series Name	GLS MIN-DIN
Shock	50 g per IEC 68-2-27c (w/o Actuator)
Vibration	10 g per IEC 68-2-6 (w/o Actuator)
Sealing	NEMA 1, 12, 13 IP66
Approvals	UL, CSA, CE
CSA File #	LR94369-3
UL File #	E37138 & E157416
Mechanical Life	10 million
Operating Temperature Range	-40 °C to 85 °C [-40 °F to 185 °F]
Comment	Roller Material: Plastic
Agency Approvals and Standards	IEC 947-5-1, EN60947-5-1, UL508, UL746-C
UNSPSC Code	302119
UNSPSC Commodity	302119 Switches and controls and relays
Sealed	Industrial
Operating Position (O.P.)	26°

MTG-GL-172

REPLACES
DRAWING NUMBER
AO18-38

REVISIONS
6/7/96
AO18-262
7/12/96
AO18-293
8/7/97
CO-000083
9/8/97
CO-000106
10/CO/395
I WEIR 6/98

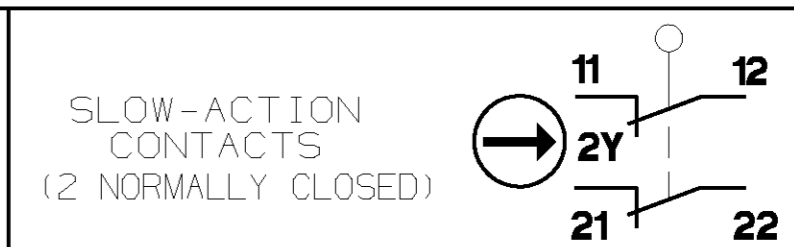
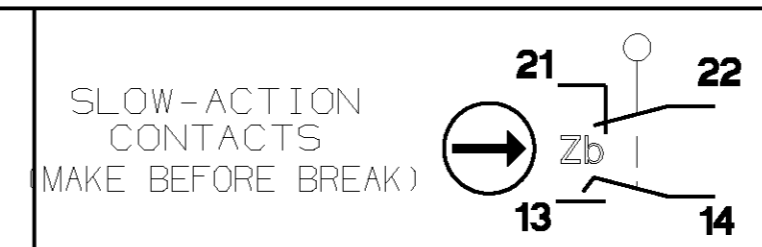
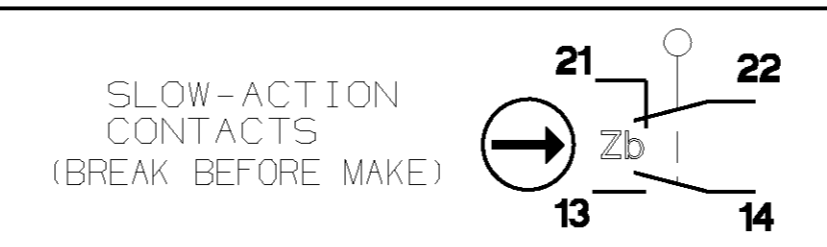
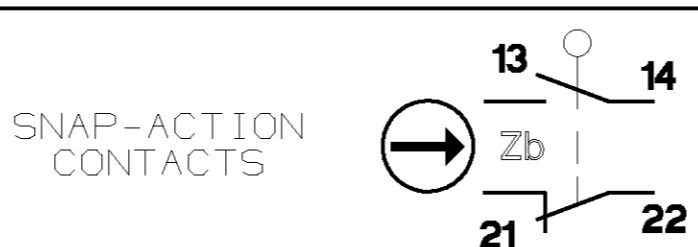
Honeywell

LIMIT SWITCH

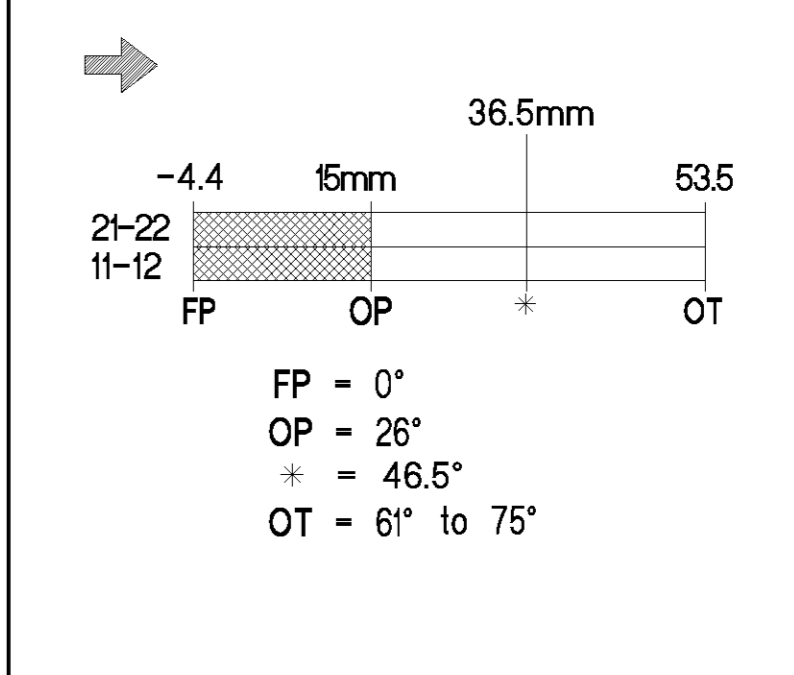
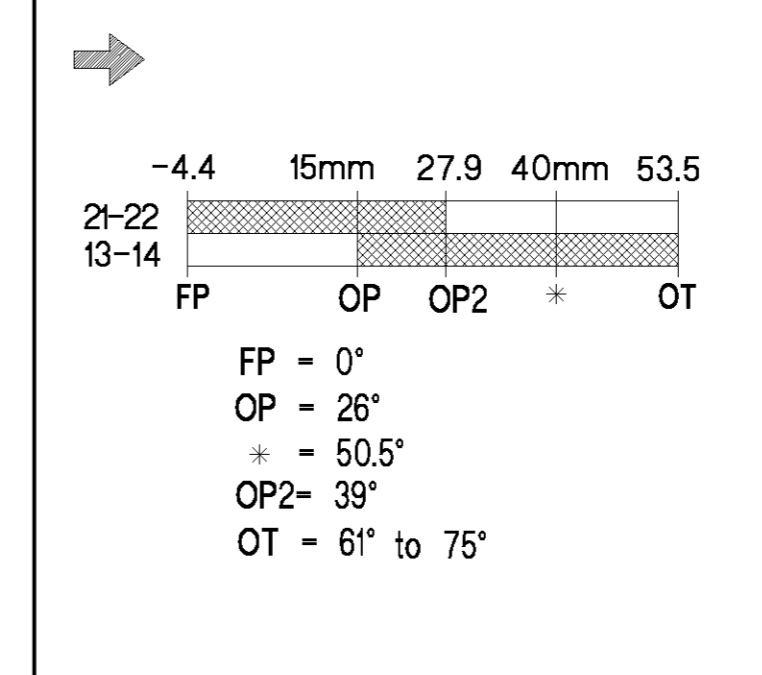
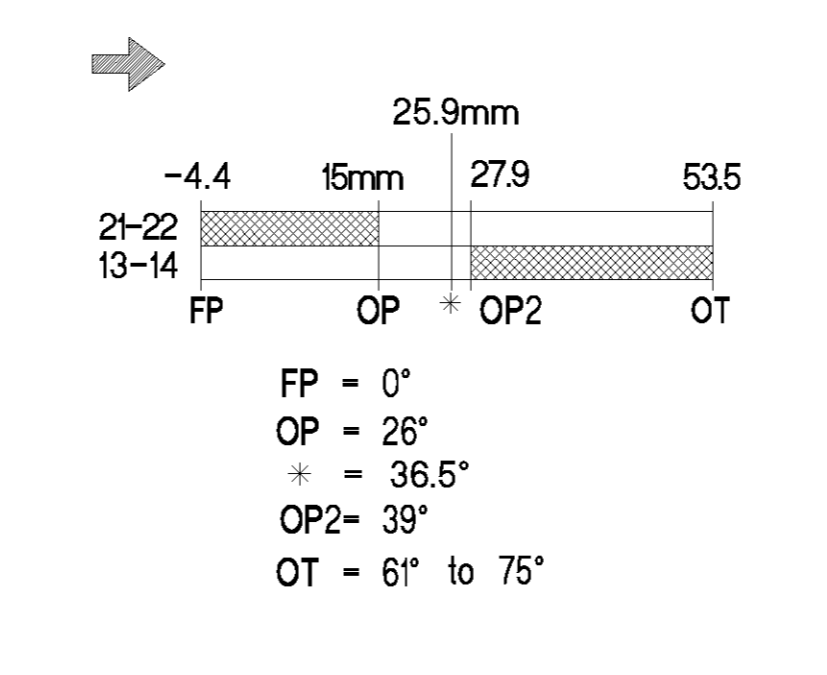
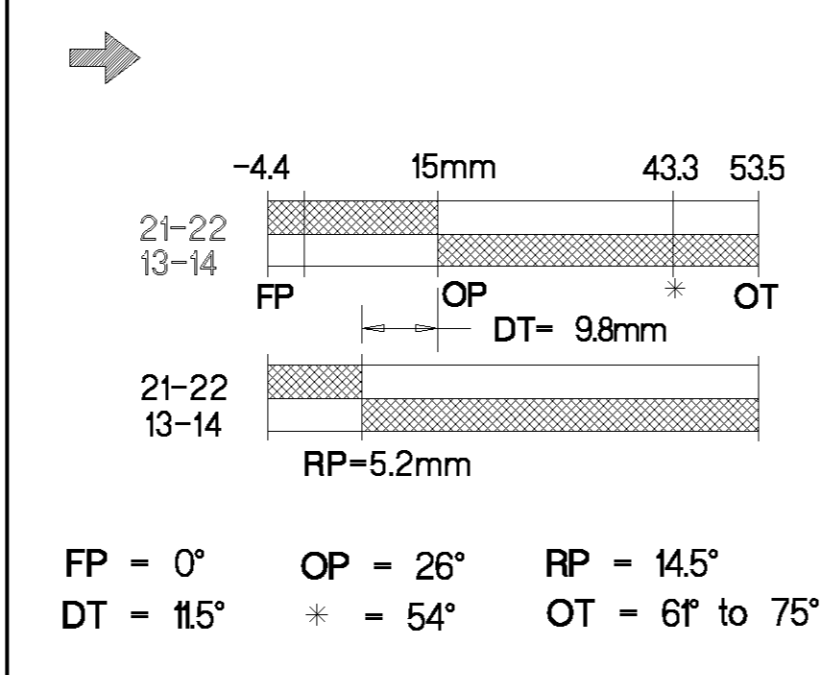
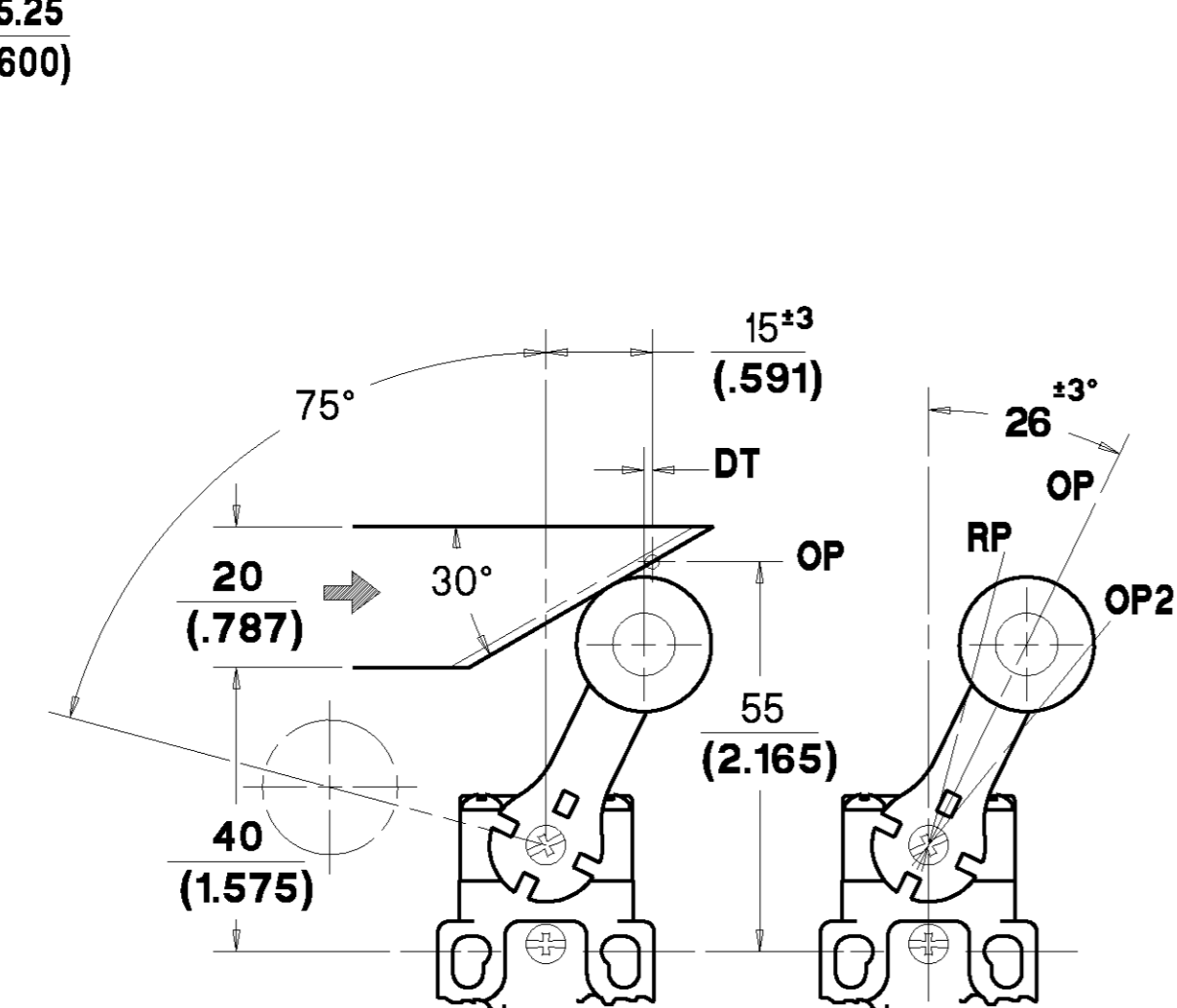
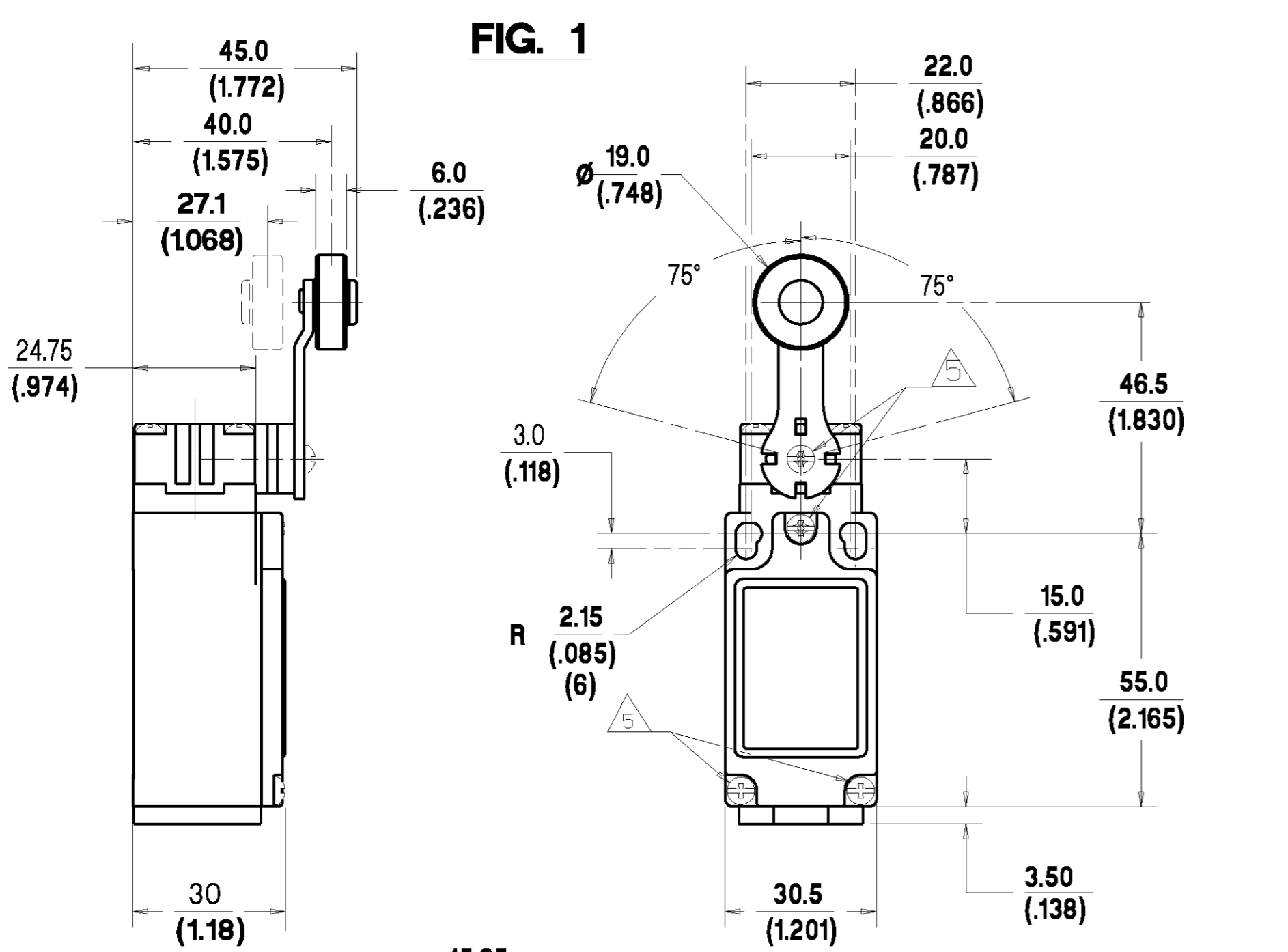
CATALOGUE LISTING

GLS

CHART NO.
MTG-GL-172

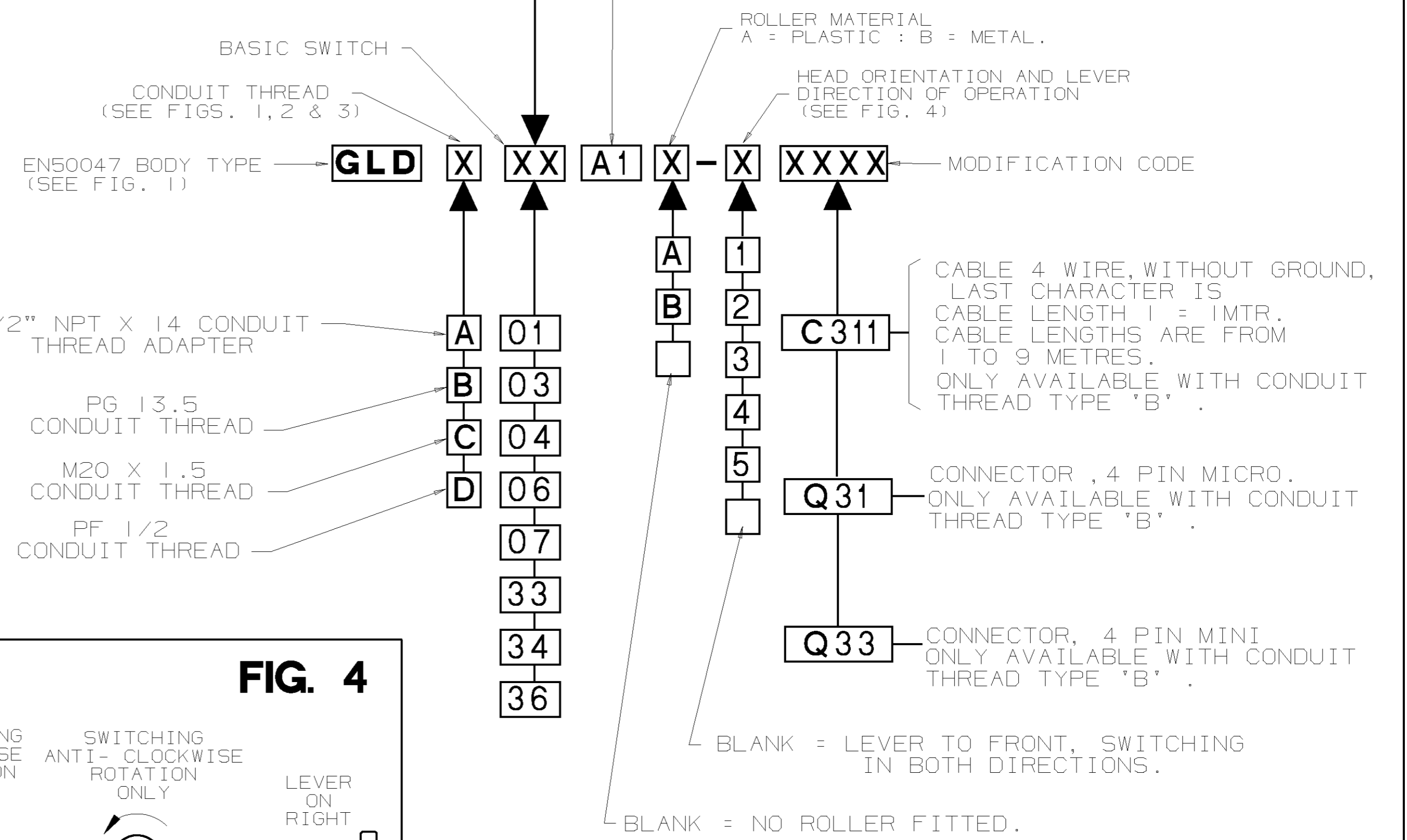
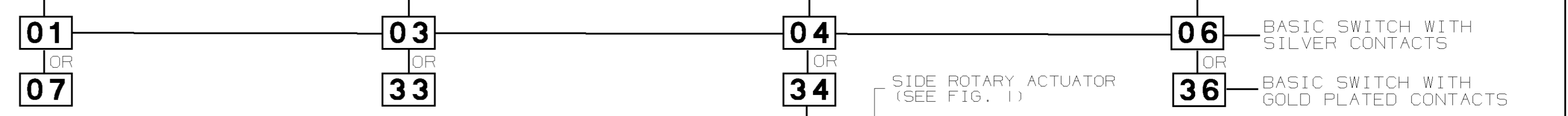


CONTACT BLOCK DIAGRAM TERMINAL DESIGNATION TO EN 50013



NOMINAL TRAVELS AND RELATED TERMINALS
CONTACT CLOSED
CONTACT OPEN
* POSITIVE OPENING TO IEC 947-5-1-3

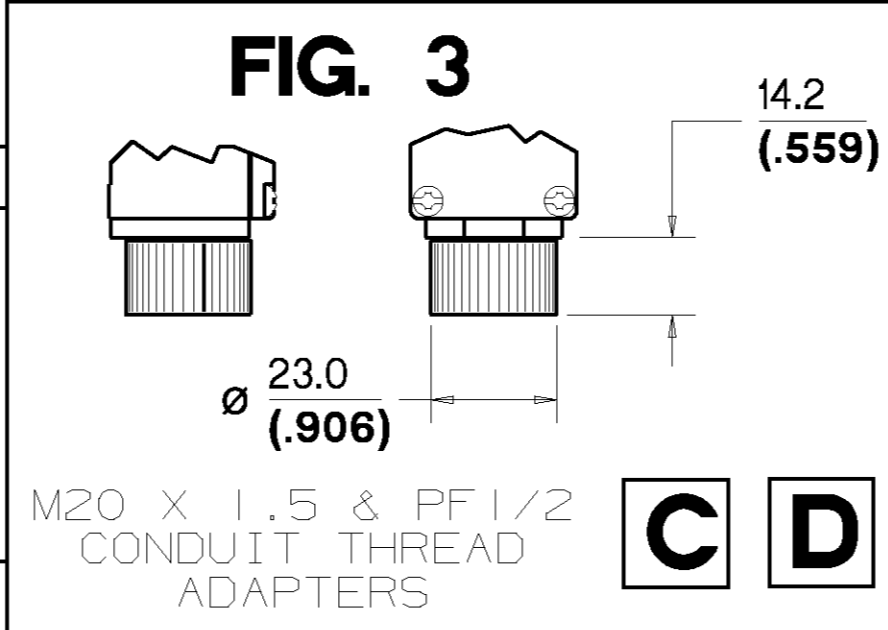
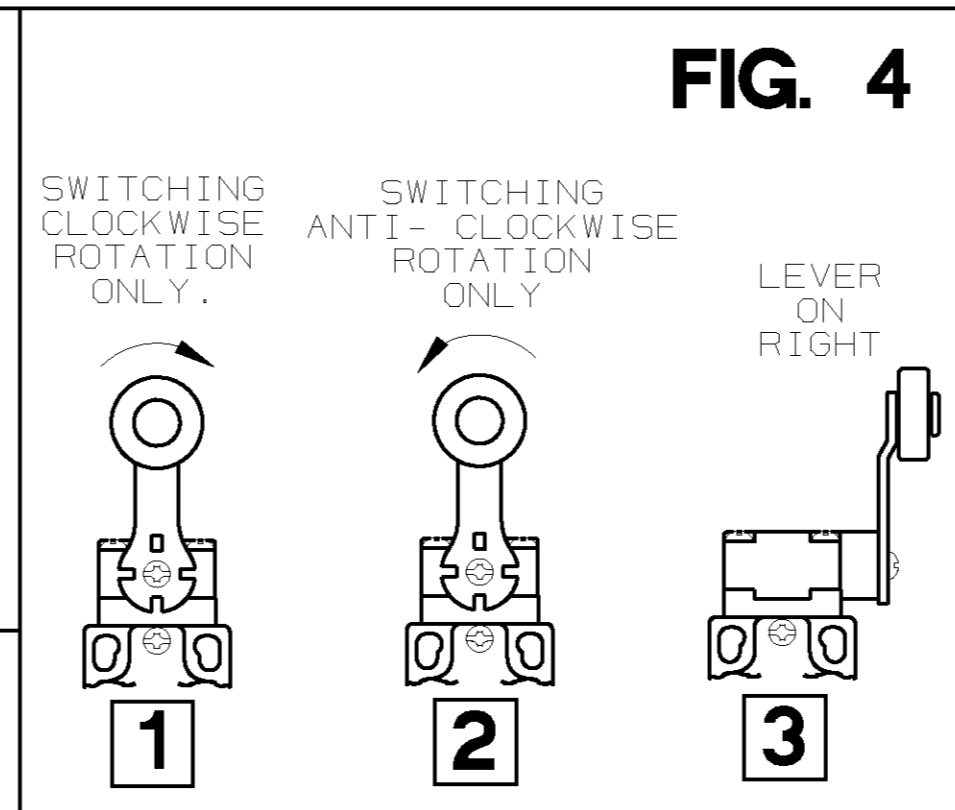
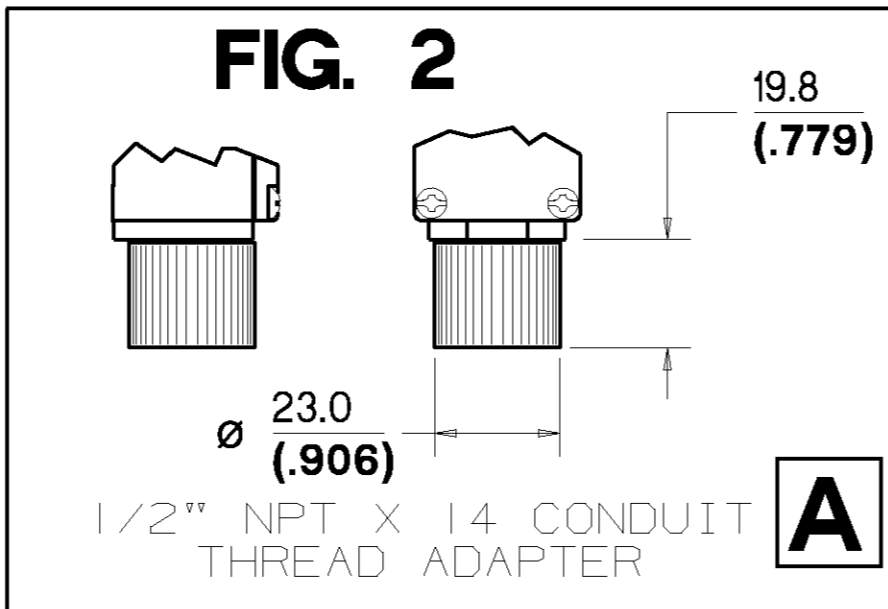
120 (1.1)	110 (1.0)	110 (1.0)	110 (1.0)	NORMAL OPERATING TORQUE MAX	Nmm (in.lbs)
140 (1.3)	160 (1.5)	170 (1.6)	150 (1.4)	MAXIMUM DISCONNECT TORQUE	Nmm (in.lbs)



- NOTES:-
- MICRO SWITCH BLUE GLASS FILLED POLYESTER HOUSING & COVER. BLACK GLASS FILLED POLYAMIDE HEAD.
 - ENCLOSURE DOUBLE INSULATED TO IEC 539 CLASS II.
 - MINIMUM OPERATING VELOCITY (V_{min}) = 2.0 MM/S (THESE LIMITS APPLY TO CAM OPERATION AS SHOWN IN THE ABOVE DIAGRAMS ONLY)
MAXIMUM OPERATING VELOCITY (V_{max}) = 200 MM/S
MAXIMUM OPERATING FREQUENCY (F_{max}) = 250 OPS/MIN
 - FREE POSITION (FP), OPERATING POINT (OP), OVERTRAVEL (OT) AND PRETRAVEL (PT) ALL TO EN50047.
- △ MAXIMUM TIGHTENING TORQUE FOR FIXING SCREW = 0.5Nm (4.4in.LB)

NO CHANGES CAN BE MADE TO THIS DRAWING WITHOUT JOINT NEWHOUSE/FREEPORT APPROVAL

NOTE:- ANY STANDARD LISTING WITH SUFFIX 'RS' OR 'FE' IS PERMITTED.



IEC 947-5-1 ELECTRICAL RATING			ENVIRONMENTAL		APPROVALS
SILVER CONTACTS			GOLD PLATED CONTACTS		UL IEC 947-5-1 EN50047
AC	AC (FOR 2NC)	DC	IP66	NEMA 1, 4, 12, 13	
A600 AC15 Ue Ie	A500 AC15 Ue Ie	0500 DC13 Ue Ie	TEMP RANGE : -25° C TO 85° C -13° F TO 185° F	SHOCK : 50G PER IEC 68-2-27 VIBRATION : 10G PER IEC 68-2-6	
120 1.5 240 1.5 380 1.5 480 1.5 500 1.4 600 1.4	120 1.5 240 1.5 380 1.5 480 1.5 500 1.4 600 1.4	120 1.5 250 0.27	STORAGE : -40° C TO 85° C -40° F TO 185° F		
I _{th} = 10A			SHOCK : 50G PER IEC 68-2-27 VIBRATION : 10G PER IEC 68-2-6		IEC 947-5-1 EN50047
1V 10µA MIN. 50V 100mA MAX.			M20 X 1.5 & PF 1/2 CONDUIT THREAD ADAPTERS		
SCALE DIMENSIONS ARE IN MM/INCHES.			MODIFY ON CAD SYSTEM ONLY		

NOTE: FOR CONNECTION DIAGRAMS AND ADDITIONAL ELECTRICAL, ENVIRONMENTAL & DIMENSIONAL INFORMATION SEE DRAWING GL-49212.

DRAWN: M. LOCH
CHECK: I. WEIR
DESIGN: J. BOYD
AUTHOR: P. FRICKETT